

## Pre-Wired 2X2 USB Work Surface Pop-Up Box

Hubbell's UL listed 2X2 USB Work Surface Pop-Up Box is ideal for work surfaces, such as desks, which require power for a computer and USB charging for smart devices. Developed in coordination with the hotel industry, the Hubbell Pop-Up Box utilizes a pneumatic spring for providing a smooth action for opening and closing. Available in brushed aluminum or black powder coat, the Pop-Up Box is suited for installation with any modern décor.

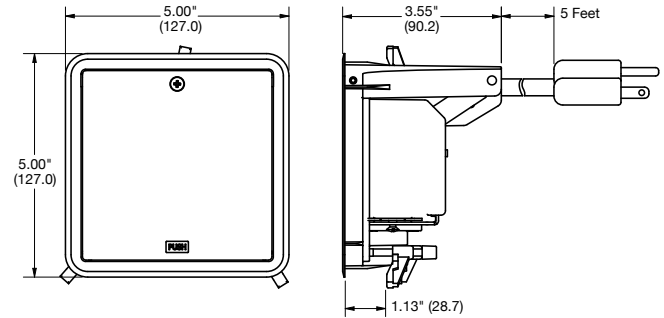
Installation is simple and only requires a jig-saw or similar saw plus a screwdriver. The unit is supplied with a 5 foot cord with a molded plug end allowing it to be installed with ease. Designed to be installed into existing desks or by furniture manufactures. The Hubbell 2X2 USB Work Surface Pop-Up Box is ideally suited for any work surface application.



Charging convenience at the push of a button

## Features

- 15A duplex with two USB charging ports, 3A USB charging capacity
- 5 foot, pre-wired, 12 gauge, 3-wire electrical cord, making it excellent for conference rooms or classrooms that are frequently rearranged
- Tamper-resistant receptacle
- Gas-spring actuation for smooth opening and closing
- Die cast aluminum construction
- Rated for +10,000 open/close cycles
- Simple three-screw installation
- Unobtrusive low profile flange at 0.05in
- LED power-indicating light
- Easily replaceable receptacle



## Electrical Specifications

- Voltage: 125V
- Current: 15A
- USB charging current: 3A
- Plug type: NEMA type 5-15P
- Cord length: 5 feet

## Specifications

- cULus
- Listed to UL962A for Furniture Power Distribution Units



2X2 USB Work Surface Box,  
Brushed Aluminum  
WSBUSB2X2ALU



2X2 USB Work Surface Box,  
Brushed Aluminum  
WSBUSB2X2BLK

## 2X2 USB Work Surface Pop-Up Box

Surface Dimensions	Cut Out Dimensions	Product Depth	Maximum Surface Thickness	Finish	Catalog No.
5" x 5"	4.62" x 4.62"	3.55"	1.125"	Brushed Aluminum	<b>WSBUSB2X2ALU</b>
				Black Powder Coat	<b>WSBUSB2X2BLK</b>